



83987



83988



83990



83989





83991



83992



83993



83994

RELICS™



83996



83995





*Pictured: Wedding photo portraits are framed embracing the warm rustic character of Relics mouldings 83991 (above) and 83992 (right)*

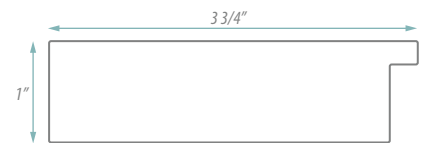


◀ The look of the Relics collection is achieved on a base of reclaimed wood with finger joints, natural knots and cracks, with rough areas and other natural characteristics of reclaimed wood. Some of these rustic attributes may not be represented in the sample on your wall. One may choose to include or cut around some of these features depending on attaining a desired look for the framing project. Entirely, these traits make this collection very unique and makes each design truly one-of-a-kind.

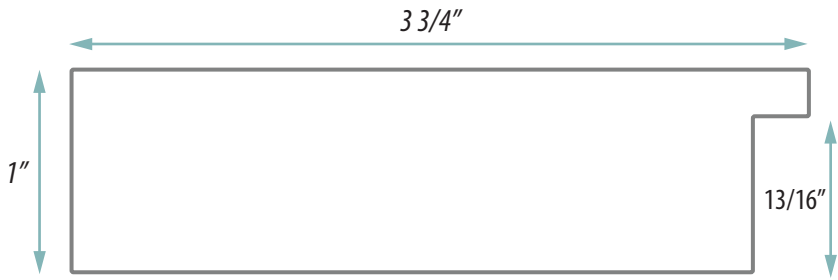


◀ The weathered grain along with natural cracks, knots, and joints pair well with art & photography that display heavy contrast of light and shadow.

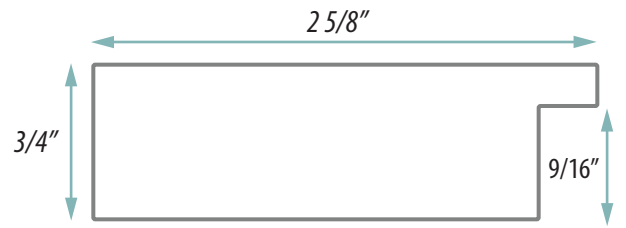
*Pictured: Relics moulding 83987, 3 3/4" wide panel*



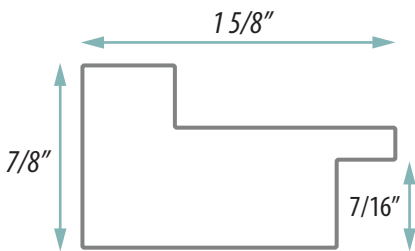
★ The characteristics mentioned above have been factored into the pricing of the Relics Collection and no added discounts or allowances will be given for natural defects that are a result of the knotty, reclaimed wood used to create this moulding collection.



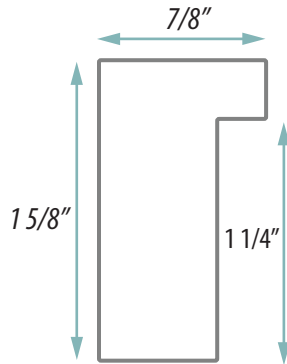
- 83987
- 83988



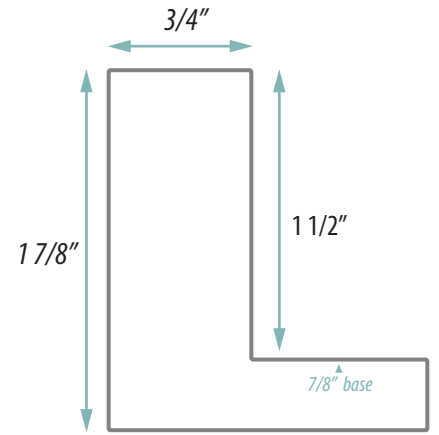
- 83989
- 83990



- 83991
- 83992



- 83993
- 83994



- 83995 floater
- 83996 floater



High Profile



Designed for stacking, items 83993 and 83994 pair with any of the wide panel profiles to create custom color and design combinations.







84143



84144

 **RELIQS™**  
2019 new profile



84145





84138



84139



84140



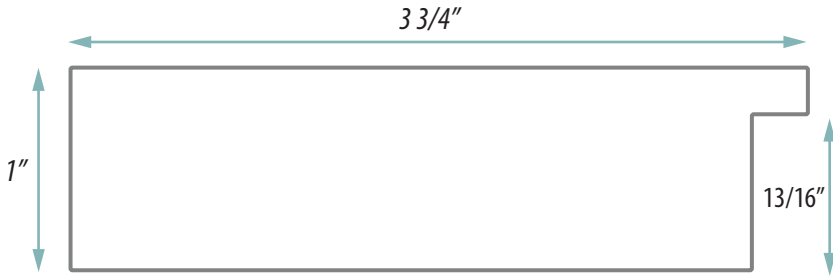
84142 floater



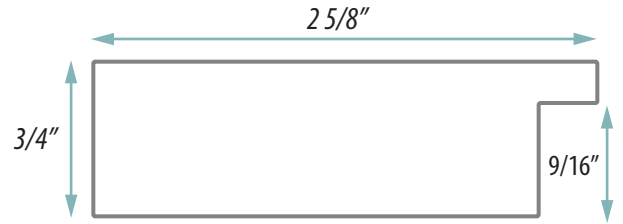
84141

 **RELIQS™**  
New additions for 2019

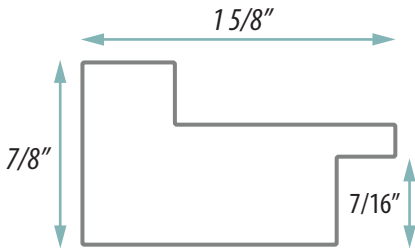




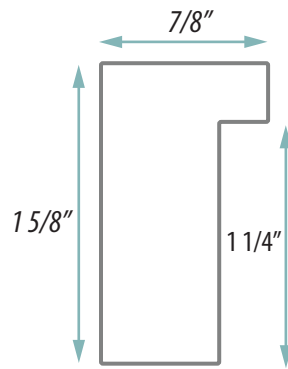
- 83987
- 83988
- 84138 - New!



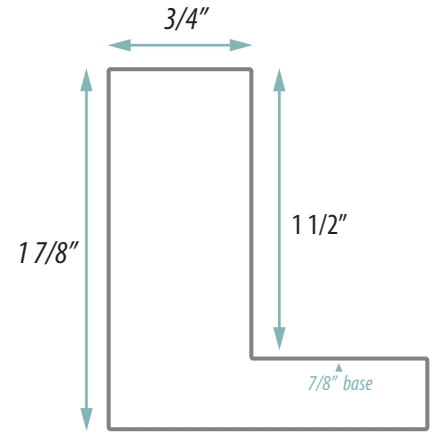
- 83989
- 83990
- 84139 - New!



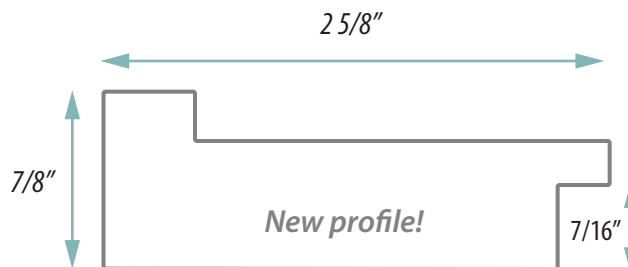
- 83991
- 83992
- 84140 - New!



- 83993
- 83994
- 84141 - New!



- 83995 floater
- 83996 floater
- 84142 floater - New!



- 84143 - New!
- 84144 - New!
- 84145 - New!

The look of the Relics collection is achieved on a base of reclaimed wood with finger joints, natural knots and cracks, with rough areas and other natural characteristics of reclaimed wood. Some of these rustic attributes may not be represented in the sample on your wall. One may choose to include or cut around some of these features depending on attaining a desired look for the framing project. Entirely, these traits make this collection very unique and makes each design truly one-of-a-kind.

These characteristics have been factored into the pricing of the Relics Collection and no added discounts or allowances will be given for natural defects that are a result of the knotty, reclaimed wood used to create this moulding collection.